

LM150/LM350A/LM350 3-Amp Adjustable Regulators

General Description

The LM150 series of adjustable 3-terminal positive voltage regulators is capable of supplying in excess of 3A over a 1.2V to 33V output range. They are exceptionally easy to use and require only 2 external resistors to set the output voltage. Further, both line and load regulation are comparable to discrete designs. Also, the LM150 is packaged in standard transistor packages which are easily mounted and handled.

In addition to higher performance than fixed regulators, the LM150 series offers full overload protection available only in IC's. Included on the chip are current limit, thermal overload protection and safe area protection. All overload protection circuitry remains fully functional even if the adjustment terminal is accidentally disconnected.

Normally, no capacitors are needed unless the device is situated more than 6 inches from the input filter capacitors in which case an input bypass is needed. An output capacitor can be added to improve transient response, while bypassing the adjustment pin will increase the regulator's ripple rejection.

Besides replacing fixed regulators or discrete designs, the LM150 is useful in a wide variety of other applications. Since the regulator is "floating" and sees only the input-to-output differential voltage, supplies of several hundred volts can be regulated as long as the maximum input to output differential is not exceeded, i.e., avoid short-circuiting the output.

By connecting a fixed resistor between the adjustment pin and output, the LM150 can be used as a precision current

regulator. Supplies with electronic shutdown can be achieved by clamping the adjustment terminal to ground which programs the output to 1.2V where most loads draw little current.

The part numbers in the LM150 series which have a K suffix are packaged in a standard Steel TO-3 package, while those with a T suffix are packaged in a TO-220 plastic package. The LM150 is rated for $-55^{\circ}\text{C} \leq T_J \leq +150^{\circ}\text{C}$, while the LM350A is rated for $-40^{\circ}\text{C} \leq T_J \leq +125^{\circ}\text{C}$, and the LM350 is rated for $0^{\circ}\text{C} \leq T_J \leq +125^{\circ}\text{C}$.

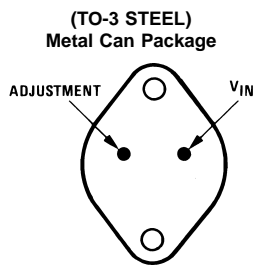
Features

- Adjustable output down to 1.2V
- Guaranteed 3A output current
- Guaranteed thermal regulation
- Output is short circuit protected
- Current limit constant with temperature
- P+ Product Enhancement tested
- 86 dB ripple rejection
- Guaranteed 1% output voltage tolerance (LM350A)
- Guaranteed max. 0.01%/V line regulation (LM350A)
- Guaranteed max. 0.3% load regulation (LM350A)

Applications

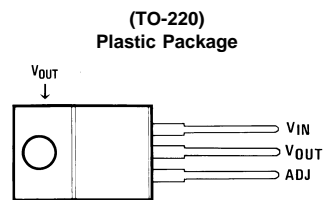
- Adjustable power supplies
- Constant current regulators
- Battery chargers

Connection Diagrams



Case is Output

Bottom View
Order Number LM150K STEEL
or LM350K STEEL
See NS Package Number K02A
Order Number LM150K/883
See NS Package Number K02C



Front View
Order Number LM350AT or LM350T
See NS Package Number T03B

Absolute Maximum Ratings (Note 1)

If Military/Aerospace specified devices are required, please contact the National Semiconductor Sales Office/Distributors for availability and specifications.

(Note 4)

Power Dissipation	Internally Limited
Input-Output Voltage Differential	+35V
Storage Temperature	-65°C to +150°C

Lead Temperature	
Metal Package (Soldering, 10 sec.)	300°C
Plastic Package (Soldering, 4 sec.)	260°C

ESD Tolerance TBD

Operating Temperature Range

LM150	-55°C ≤ T _J ≤ +150°C
LM350A	-40°C ≤ T _J ≤ +125°C
LM350	0°C ≤ T _J ≤ +125°C

Electrical Characteristics

Specifications with standard type face are for T_J = 25°C, and those with **boldface type** apply over full Operating Temperature Range. Unless otherwise specified, V_{IN} - V_{OUT} = 5V, and I_{OUT} = 10 mA. (Note 2)

Parameter	Conditions	LM150			Units
		Min	Typ	Max	
Reference Voltage	3V ≤ (V _{IN} - V _{OUT}) ≤ 35V, 10 mA ≤ I _{OUT} ≤ 3A, P ≤ 30W	1.20	1.25	1.30	V
Line Regulation	3V ≤ (V _{IN} - V _{OUT}) ≤ 35V (Note 3)		0.005	0.01	%/V
			0.02	0.05	%/V
Load Regulation	10 mA ≤ I _{OUT} ≤ 3A (Note 3)		0.1	0.3	%
			0.3	1	%
Thermal Regulation	20 ms Pulse		0.002	0.01	%/W
Adjustment Pin Current			50	100	μA
Adjustment Pin Current Change	10 mA ≤ I _{OUT} ≤ 3A, 3V ≤ (V _{IN} - V _{OUT}) ≤ 35V		0.2	5	μA
Temperature Stability	T _{MIN} ≤ T _J ≤ T _{MAX}		1		%
Minimum Load Current	V _{IN} - V _{OUT} = 35V		3.5	5	mA
Current Limit	V _{IN} - V _{OUT} ≤ 10V	3.0	4.5		A
	V _{IN} - V _{OUT} = 30V	0.3	1		A
RMS Output Noise, % of V _{OUT}	10 Hz ≤ f ≤ 10 kHz		0.001		%
Ripple Rejection Ratio	V _{OUT} = 10V, f = 120 Hz, C _{ADJ} = 0 μF		65		dB
	V _{OUT} = 10V, f = 120 Hz, C _{ADJ} = 10 μF	66	86		dB
Long-Term Stability	T _J = 125°C, 1000 hrs		0.3	1	%
Thermal Resistance, Junction to Case	K Package		1.2	1.5	°C/W
Thermal Resistance, Junction to Ambient (No Heat Sink)	K Package		35		°C/W

Electrical Characteristics

Specifications with standard type face are for T_J = 25°C, and those with **boldface type** apply over full Operating Temperature Range. Unless otherwise specified, V_{IN} - V_{OUT} = 5V, and I_{OUT} = 10 mA. (Note 2)

Parameter	Conditions	LM350A			LM350			Units
		Min	Typ	Max	Min	Typ	Max	
Reference Voltage	I _{OUT} = 10 mA, T _J = 25°C	1.238	1.250	1.262				V
	3V ≤ (V _{IN} - V _{OUT}) ≤ 35V, 10 mA ≤ I _{OUT} ≤ 3A, P ≤ 30W	1.225	1.250	1.270	1.20	1.25	1.30	V
Line Regulation	3V ≤ (V _{IN} - V _{OUT}) ≤ 35V (Note 3)		0.005	0.01		0.005	0.03	%/V
			0.02	0.05		0.02	0.07	%/V
Load Regulation	10 mA ≤ I _{OUT} ≤ 3A (Note 3)		0.1	0.3		0.1	0.5	%
			0.3	1		0.3	1.5	%
Thermal Regulation	20 ms Pulse		0.002	0.01		0.002	0.03	%/W
Adjustment Pin Current			50	100		50	100	μA
Adjustment Pin Current Change	10 mA ≤ I _{OUT} ≤ 3A, 3V ≤ (V _{IN} - V _{OUT}) ≤ 35V		0.2	5		0.2	5	μA

Electrical Characteristics (Continued)

Specifications with standard type face are for $T_J = 25^\circ\text{C}$, and those with **boldface type** apply over **full Operating Temperature Range**. Unless otherwise specified, $V_{IN} - V_{OUT} = 5\text{V}$, and $I_{OUT} = 10\text{ mA}$. (Note 2)

Parameter	Conditions	LM350A			LM350			Units
		Min	Typ	Max	Min	Typ	Max	
Temperature Stability	$T_{MIN} \leq T_J \leq T_{MAX}$		1			1		%
Minimum Load Current	$V_{IN} - V_{OUT} = 35\text{V}$		3.5	10		3.5	10	mA
Current Limit	$V_{IN} - V_{OUT} \leq 10\text{V}$	3.0	4.5		3.0	4.5		A
	$V_{IN} - V_{OUT} = 30\text{V}$	0.3	1		0.25	1		A
RMS Output Noise, % of V_{OUT}	$10\text{ Hz} \leq f \leq 10\text{ kHz}$		0.001			0.001		%
Ripple Rejection Ratio	$V_{OUT} = 10\text{V}$, $f = 120\text{ Hz}$, $C_{ADJ} = 0\text{ }\mu\text{F}$		65			65		dB
	$V_{OUT} = 10\text{V}$, $f = 120\text{ Hz}$, $C_{ADJ} = 10\text{ }\mu\text{F}$	66	86		66	86		dB
Long-Term Stability	$T_J = 125^\circ\text{C}$, 1000 hrs		0.25	1		0.25	1	%
Thermal Resistance, Junction to Case	K Package					1.2	1.5	$^\circ\text{C/W}$
	T Package		3	4		3	4	$^\circ\text{C/W}$
Thermal Resistance, Junction to Ambient (No Heat Sink)	K Package					35		$^\circ\text{C/W}$
	T Package		50			50		$^\circ\text{C/W}$

Note 1: Absolute Maximum Ratings indicate limits beyond which damage to the device may occur. Operating Ratings indicate conditions for which the device is intended to be functional, but do not guarantee specific performance limits. For guaranteed specifications and test conditions, see the Electrical Characteristics.

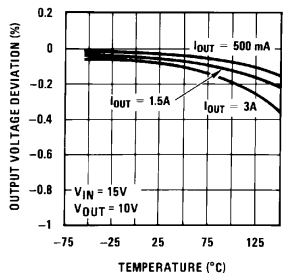
Note 2: These specifications are applicable for power dissipations up to 30W for the TO-3 (K) package and 25W for the TO-220 (T) package. Power dissipation is guaranteed at these values up to 15V input-output differential. Above 15V differential, power dissipation will be limited by internal protection circuitry. All limits (i.e., the numbers in the Min. and Max. columns) are guaranteed to National's AOQL (Average Outgoing Quality Level).

Note 3: Regulation is measured at a constant junction temperature, using pulse testing with a low duty cycle. Changes in output voltage due to heating effects are covered under the specifications for thermal regulation.

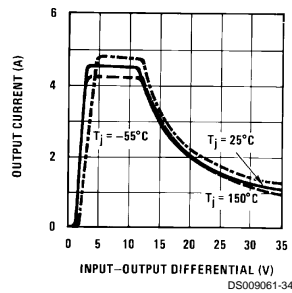
Note 4: Refer to RETS150K drawing for military specifications of the LM150K.

Typical Performance Characteristics

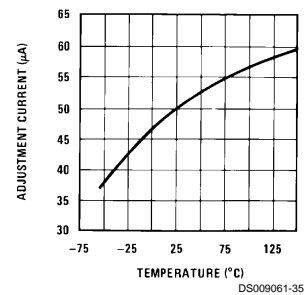
Load Regulation



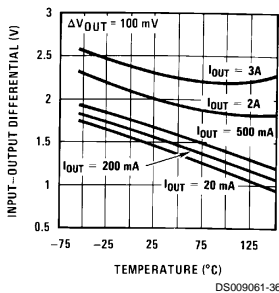
Current Limit



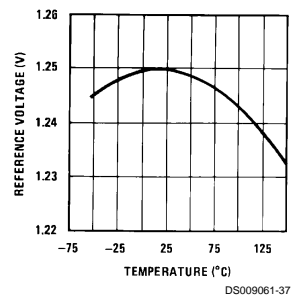
Adjustment Current



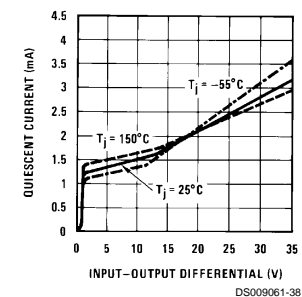
Dropout Voltage



Temperature Stability

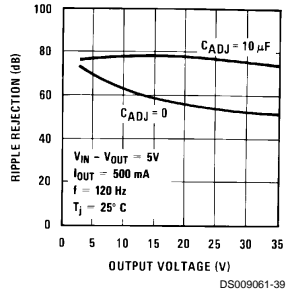


Minimum Operating Current

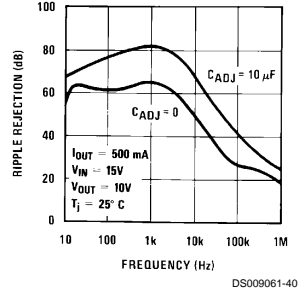


Typical Performance Characteristics (Continued)

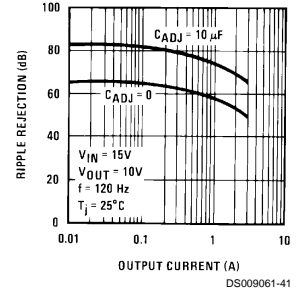
Ripple Rejection



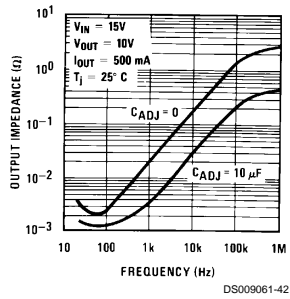
Ripple Rejection



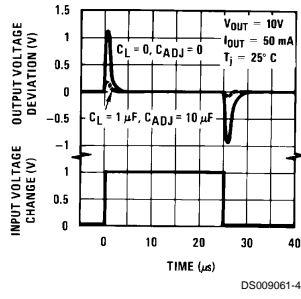
Ripple Rejection



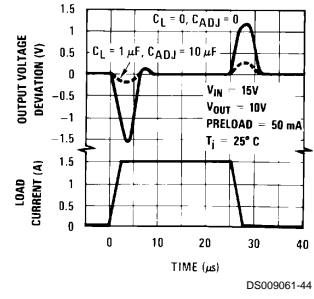
Output Impedance



Line Transient Response



Load Transient Response



Application Hints

In operation, the LM150 develops a nominal 1.25V reference voltage, V_{REF} , between the output and adjustment terminal. The reference voltage is impressed across program resistor R1 and, since the voltage is constant, a constant current I_1 then flows through the output set resistor R2, giving an output voltage of

$$V_{OUT} = V_{REF} \left(1 + \frac{R2}{R1} \right) + I_{ADJ} R2.$$

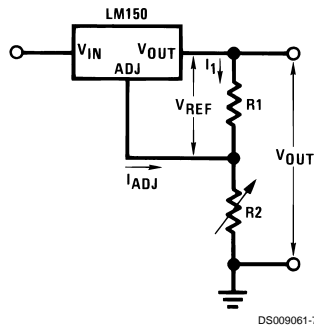


FIGURE 1.

Since the 50 μ A current from the adjustment terminal represents an error term, the LM150 was designed to minimize I_{ADJ} and make it very constant with line and load changes. To do this, all quiescent operating current is returned to the output establishing a minimum load current requirement. If there is insufficient load on the output, the output will rise.

EXTERNAL CAPACITORS

An input bypass capacitor is recommended. A 0.1 μ F disc or 1 μ F solid tantalum on the input is suitable input bypassing for almost all applications. The device is more sensitive to the absence of input bypassing when adjustment or output capacitors are used but the above values will eliminate the possibility of problems.

The adjustment terminal can be bypassed to ground on the LM150 to improve ripple rejection. This bypass capacitor prevents ripple from being amplified as the output voltage is increased. With a 10 μ F bypass capacitor 86 dB ripple rejection is obtainable at any output level. Increases over 10 μ F do not appreciably improve the ripple rejection at frequencies above 120 Hz. If the bypass capacitor is used, it is sometimes necessary to include protection diodes to prevent the capacitor from discharging through internal low current paths and damaging the device.

In general, the best type of capacitors to use is solid tantalum. Solid tantalum capacitors have low impedance even at high frequencies. Depending upon capacitor construction, it takes about 25 μ F in aluminum electrolytic to equal 1 μ F solid tantalum at high frequencies. Ceramic capacitors are also good at high frequencies, but some types have a large decrease in capacitance at frequencies around 0.5 MHz. For this reason, 0.01 μ F disc may seem to work better than a 0.1 μ F disc as a bypass.

Although the LM150 is stable with no output capacitors, like any feedback circuit, certain values of external capacitance can cause excessive ringing. This occurs with values be-

tween 500 pF and 5000 pF. A 1 μ F solid tantalum (or 25 μ F aluminum electrolytic) on the output swamps this effect and insures stability.

LOAD REGULATION

The LM150 is capable of providing extremely good load regulation but a few precautions are needed to obtain maximum performance. The current set resistor connected between the adjustment terminal and the output terminal (usually 240 Ω) should be tied directly to the output (case) of the regulator rather than near the load. This eliminates line drops from appearing effectively in series with the reference and degrading regulation. For example, a 15V regulator with 0.05 Ω resistance between the regulator and load will have a load regulation due to line resistance of 0.05 Ω \times I_{OUT} . If the set resistor is connected near the load the effective line resistance will be 0.05 Ω (1 + R2/R1) or in this case, 11.5 times worse.

Figure 2 shows the effect of resistance between the regulator and 240 Ω set resistor.

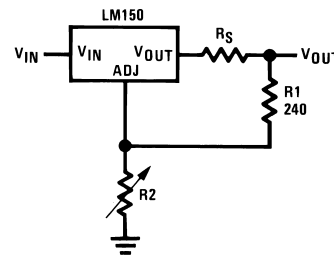


FIGURE 2. Regulator with Line Resistance in Output Lead

With the TO-3 package, it is easy to minimize the resistance from the case to the set resistor, by using two separate leads to the case. The ground of R2 can be returned near the ground of the load to provide remote ground sensing and improve load regulation.

PROTECTION DIODES

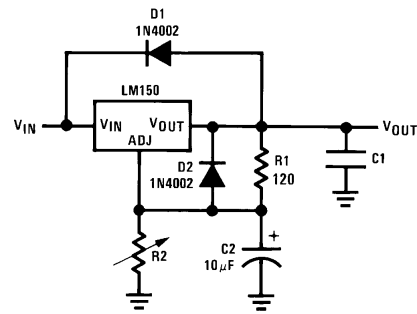
When external capacitors are used with any IC regulator it is sometimes necessary to add protection diodes to prevent the capacitors from discharging through low current points into the regulator. Most 10 μ F capacitors have low enough internal series resistance to deliver 20A spikes when shorted. Although the surge is short, there is enough energy to damage parts of the IC.

When an output capacitor is connected to a regulator and the input is shorted, the output capacitor will discharge into the output of the regulator. The discharge current depends on the value of the capacitor, the output voltage of the regulator, and the rate of decrease of V_{IN} . In the LM150, this discharge path is through a large junction that is able to sustain 25A surge with no problem. This is not true of other types of positive regulators. For output capacitors of 25 μ F or less, there is no need to use diodes.

The bypass capacitor on the adjustment terminal can discharge through a low current junction. Discharge occurs when either the input or output is shorted. Internal to the LM150 is a 50 Ω resistor which limits the peak discharge current. No protection is needed for output voltages of 25V or

Application Hints (Continued)

less and 10 μF capacitance. Figure 3 shows an LM150 with protection diodes included for use with outputs greater than 25V and high values of output capacitance.



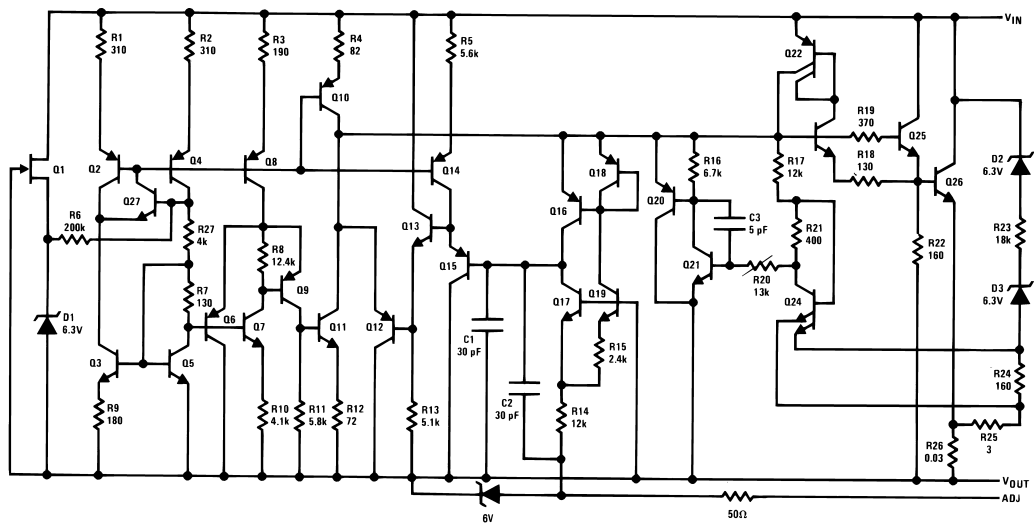
DS009061-9

D1 protects against C1
D2 protects against C2

$$V_{OUT} = 1.25V \left(1 + \frac{R2}{R1} \right) + I_{ADJ}R2$$

FIGURE 3. Regulator with Protection Diodes

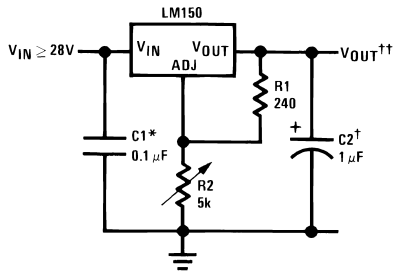
Schematic Diagram



DS009061-10

Typical Applications

1.2V–25V Adjustable Regulator



DS009061-1

Full output current not available at high input-output voltages.

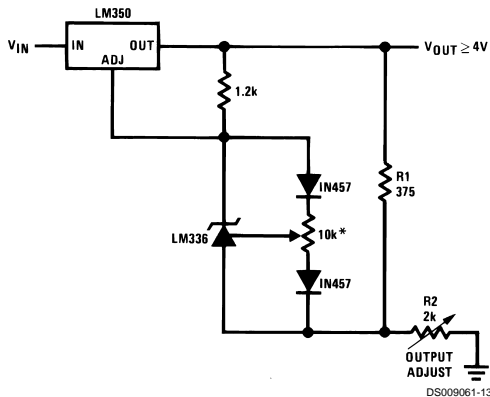
†Optional—improves transient response. Output capacitors in the range of 1 μF to 1000 μF of aluminum or tantalum electrolytic are commonly used to provide improved output impedance and rejection of transients.

*Needed if device is more than 6 inches from filter capacitors.

$$\dagger\dagger V_{OUT} = 1.25V \left(1 + \frac{R2}{R1} \right) + I_{ADJ}(R2)$$

Note: Usually R1 = 240Ω for LM150 and R1 = 120Ω for LM350.

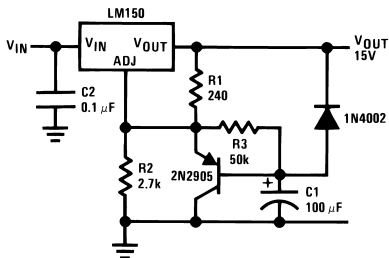
Precision Power Regulator with Low Temperature Coefficient



DS009061-13

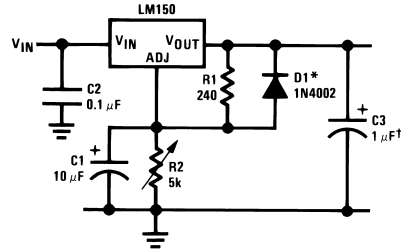
*Adjust for 3.75V across R1

Slow Turn-ON 15V Regulator



DS009061-14

Adjustable Regulator with Improved Ripple Rejection

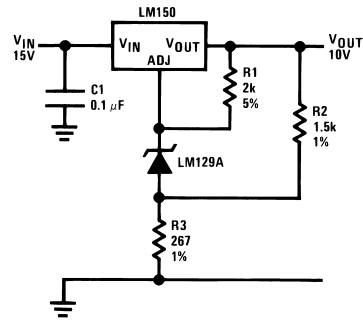


DS009061-15

†Solid tantalum

*Discharges C1 if output is shorted to ground

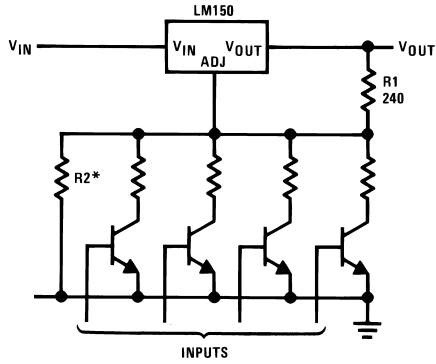
High Stability 10V Regulator



DS009061-16

Typical Applications (Continued)

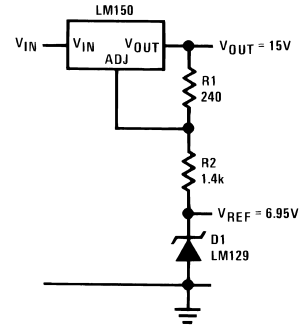
Digitally Selected Outputs



DS009061-17

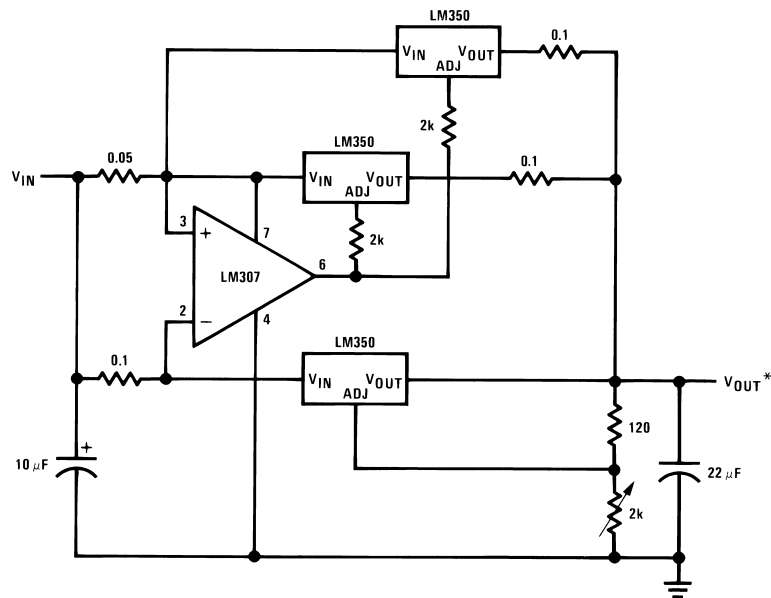
*Sets maximum V_{OUT}

Regulator and Voltage Reference



DS009061-3

10A Regulator

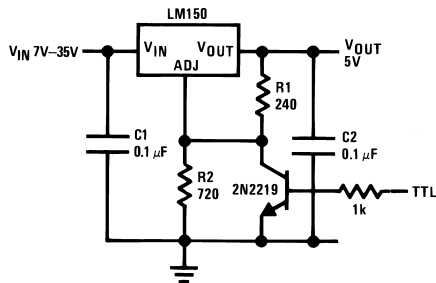


DS009061-18

*Minimum load current 50 mA

Typical Applications (Continued)

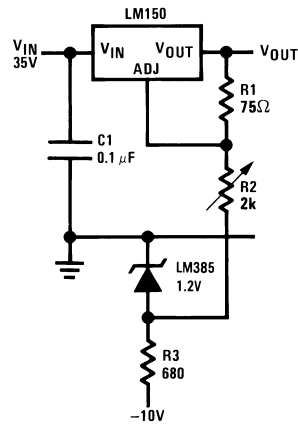
5V Logic Regulator with Electronic Shutdown*



DS009061-19

*Min output = 1.2V

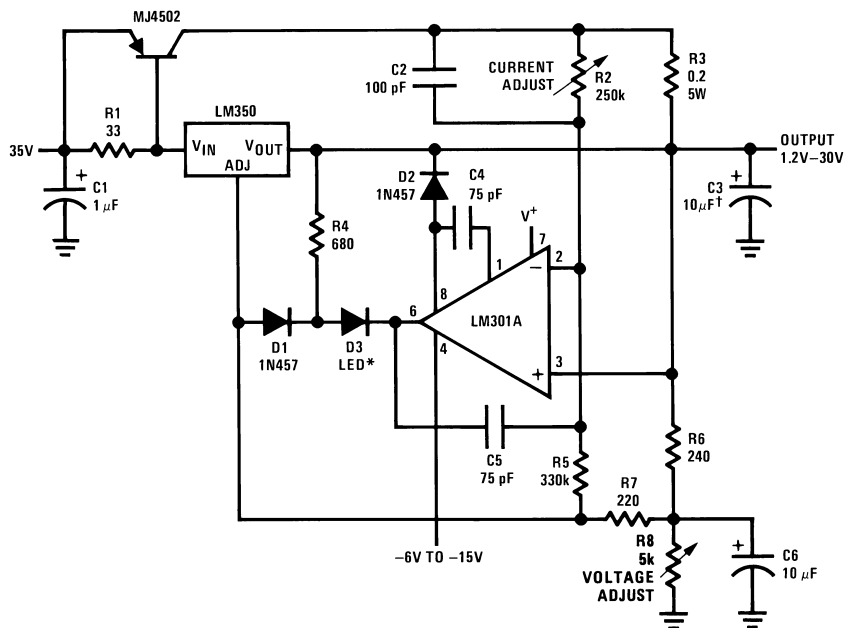
0 to 30V Regulator



DS009061-20

Full output current not available at high input-output voltages

5A Constant Voltage/Constant Current Regulator



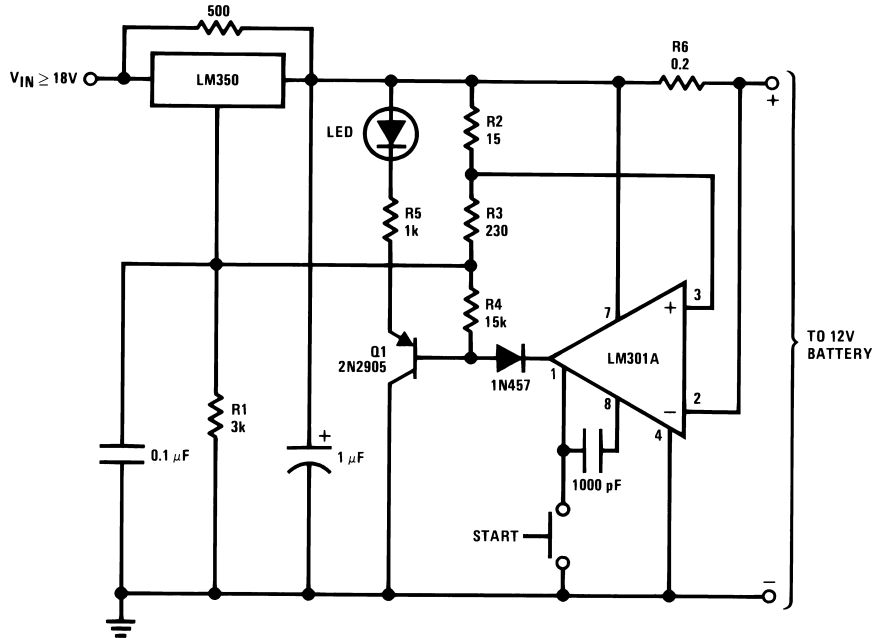
DS009061-21

†Solid tantalum

*Lights in constant current mode

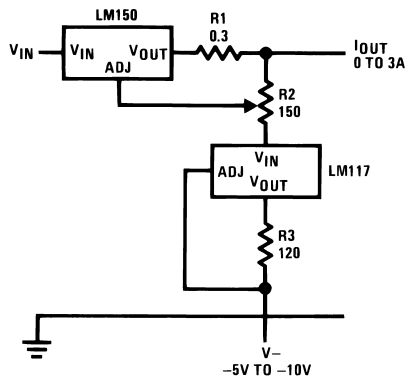
Typical Applications (Continued)

12V Battery Charger



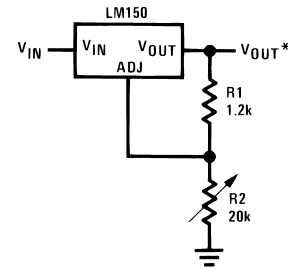
DS009061-22

Adjustable Current Regulator



DS009061-23

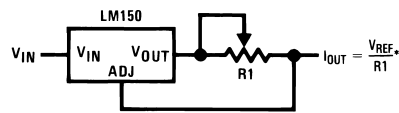
1.2V–20V Regulator with Minimum Program Current



DS009061-25

*Minimum output current = 4 mA

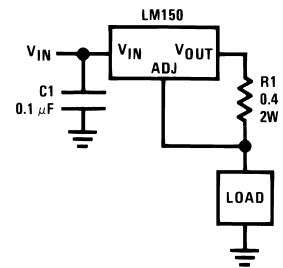
Precision Current Limiter



DS009061-24

* $0.4 \leq R_1 \leq 120\Omega$

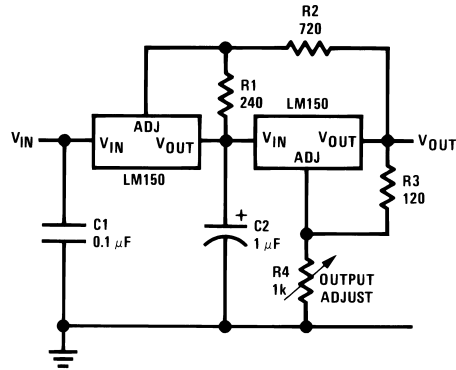
3A Current Regulator



DS009061-26

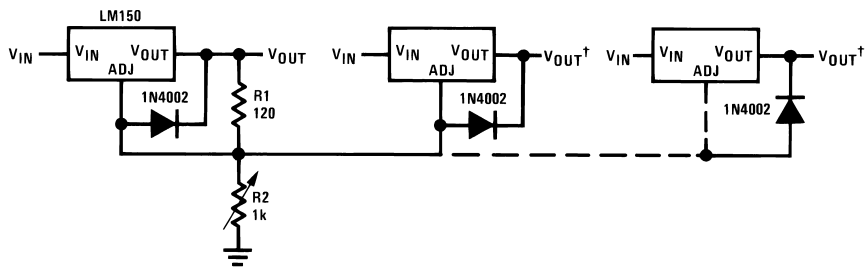
Typical Applications (Continued)

Tracking Preregulator



DS009061-27

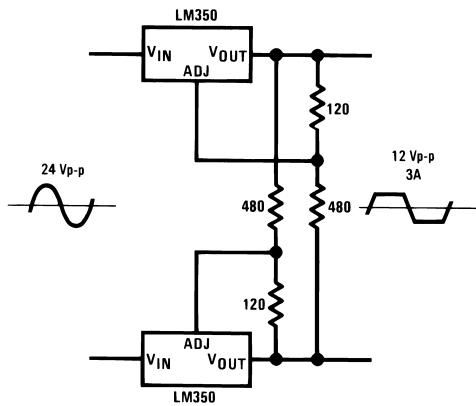
Adjusting Multiple On-Card Regulators with Single Control*



DS009061-28

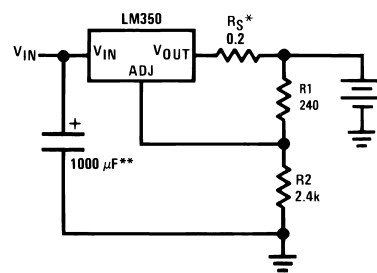
†Minimum load — 10 mA
*All outputs within ±100 mV

AC Voltage Regulator



DS009061-29

Simple 12V Battery Charger

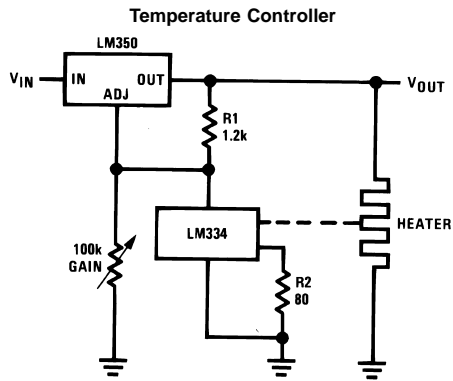


DS009061-30

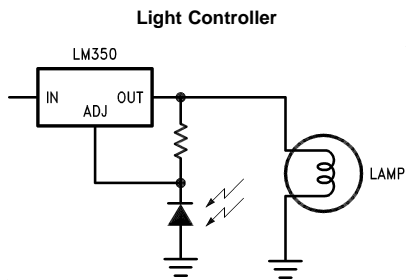
* R_S —sets output impedance of charger: $Z_{OUT} = R_S \left(1 + \frac{R_2}{R_1} \right)$
DS009061-48

Use of R_S allows low charging rates with fully charged battery.
**1000 μ F is recommended to filter out any input transients

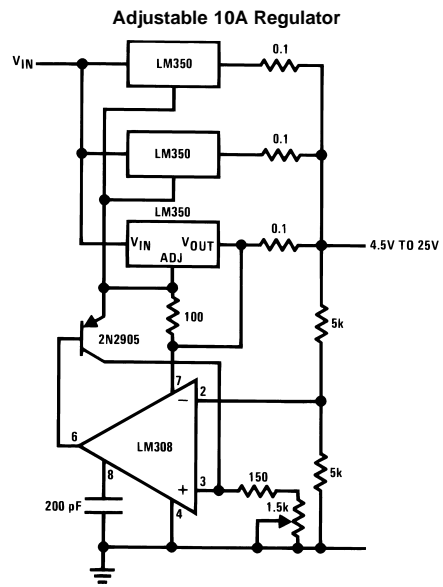
Typical Applications (Continued)



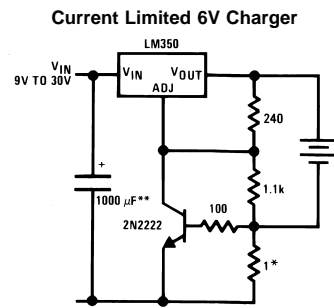
DS009061-11



DS009061-12



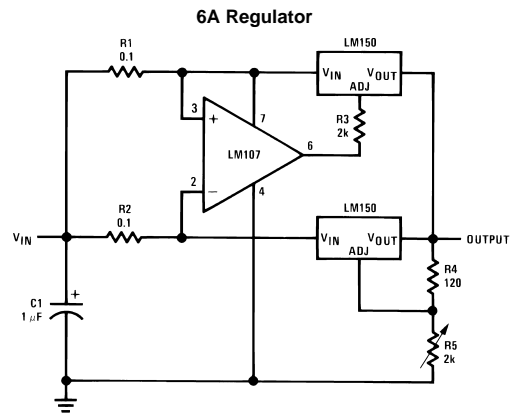
DS009061-31



DS009061-32

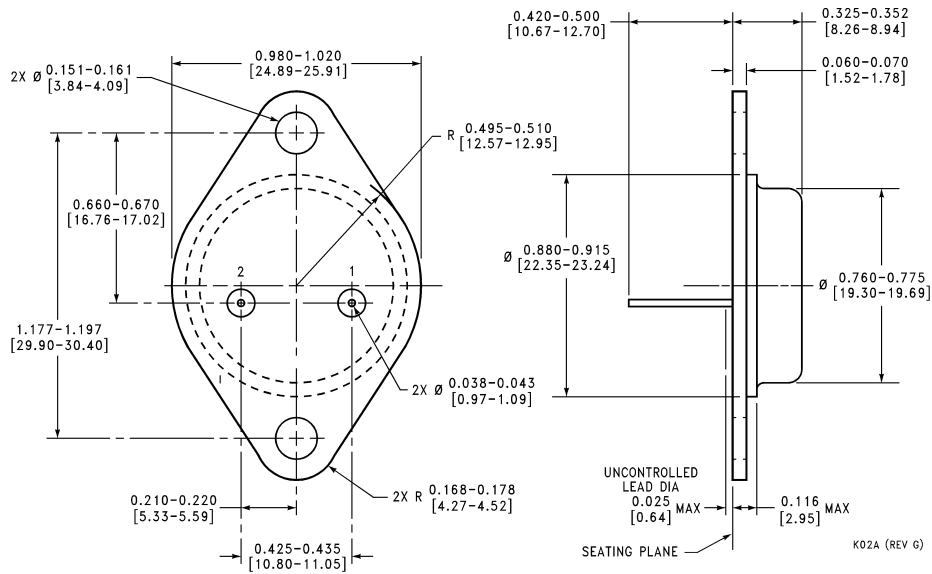
*Sets peak current (2A for 0.3Ω)

**1000 μF is recommended to filter out any input transients.

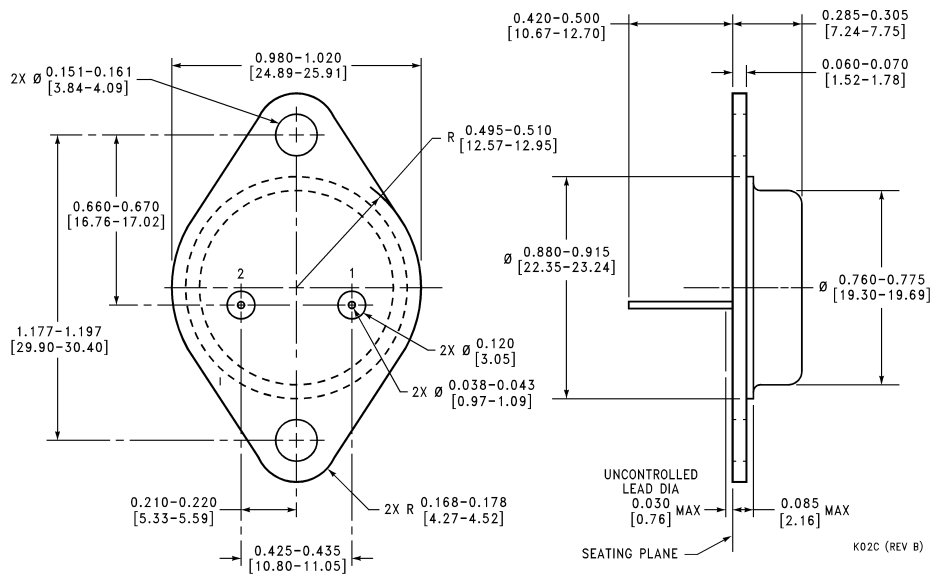


DS009061-2

Physical Dimensions inches (millimeters) unless otherwise noted

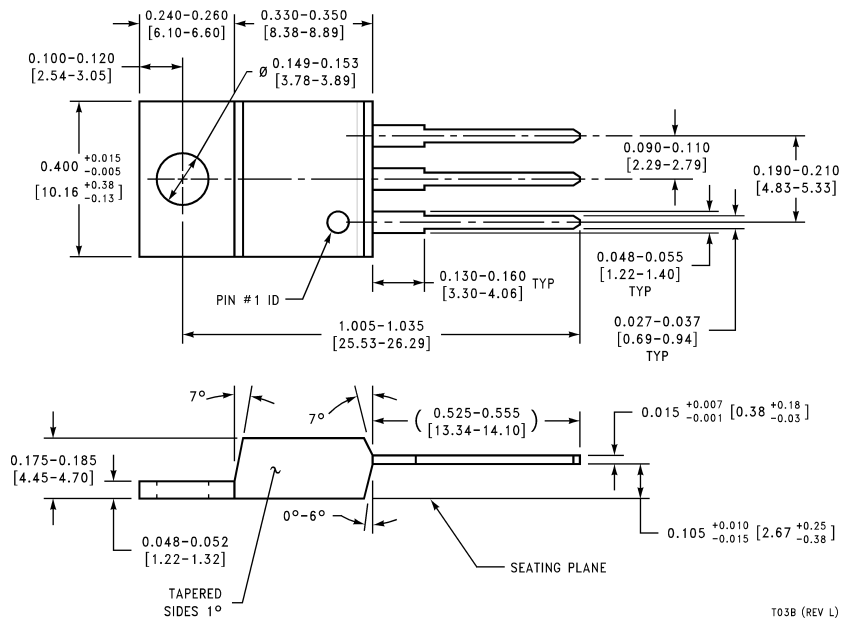


2 Lead TO-3 Metal Can Package (K)
Order Number LM150K STEEL or LM350K STEEL
NS Package Number K02A



2 Lead TO-3 Metal Can Package (K)
Mil-Aero Product
Order Number LM150K/883
NS Package Number K02C

Physical Dimensions inches (millimeters) unless otherwise noted (Continued)



3 Lead Molded TO-220 (T)
Order Number LM350AT or LM350T
NS Package Number T03B

LIFE SUPPORT POLICY

NATIONAL'S PRODUCTS ARE NOT AUTHORIZED FOR USE AS CRITICAL COMPONENTS IN LIFE SUPPORT DEVICES OR SYSTEMS WITHOUT THE EXPRESS WRITTEN APPROVAL OF THE PRESIDENT OF NATIONAL SEMICONDUCTOR CORPORATION. As used herein:

1. Life support devices or systems are devices or systems which, (a) are intended for surgical implant into the body, or (b) support or sustain life, and whose failure to perform when properly used in accordance with instructions for use provided in the labeling, can be reasonably expected to result in a significant injury to the user.
2. A critical component is any component of a life support device or system whose failure to perform can be reasonably expected to cause the failure of the life support device or system, or to affect its safety or effectiveness.



National Semiconductor Corporation
 Americas
 Tel: 1-800-272-9959
 Fax: 1-800-737-7018
 Email: support@nsc.com

National Semiconductor Europe
 Fax: +49 (0) 1 80-530 85 86
 Email: europe.support@nsc.com
 Deutsch Tel: +49 (0) 1 80-530 85 85
 English Tel: +49 (0) 1 80-532 78 32
 Français Tel: +49 (0) 1 80-532 93 58
 Italiano Tel: +49 (0) 1 80-534 16 80

National Semiconductor Asia Pacific Customer Response Group
 Tel: 65-2544466
 Fax: 65-2504466
 Email: sea.support@nsc.com

National Semiconductor Japan Ltd.
 Tel: 81-3-5639-7560
 Fax: 81-3-5639-7507

www.national.com